

K&L[®]
KINGLUMI CO.,LTD.

2017
PRODUCTS CATALOG



KINGLUMI CO.,LTD.

E-mail: sales@kinglumi.com Http: www.kinglumi.com
Fax: 0086-755-29516759 Tel: 0086-755-29516789 33985808
Add: Bldg 3,Nangang Third Industrial Zone,Tangtou,Shiyan Town,Bao'an District,Shenzhen City,China 518108

Professional | Unique | Comfortable
LED LIGHTING



EUROPE

APOLLO PANEL LIGHT

Features:

- Modular Design
- UGR 16, with shielding angle ~20degree
- Efficacy 126lm/W
- CCT Optional:2700K/3000K/4000K/5000K
- Perfect light Distribution: 90% useful lumen in cone 90°, less glare
- Dimming: Non-dimming, DALI and 1-10V dimming
- Isolated circuit, High Power Factor over 0.95
- Non-flicker design, it ensure CCTV monitor can work well.
- Aluminum passive cooling, TcLED<70°C, L70>50,000hrs
- Installation: Recessed/Pendant mounted

Warranty: 5 years.



Parameters

Item No.	Size(mm)	Power	Lumen	Beam Angle	CRI
KL-PL-017.W02	595*595	28W	3600lm	85°*65°	80
KL-PL-018.W02	620*620	28W	3600lm	85°*65°	80
KL-PL-019.W02	295*1195	28W	3600lm	85°*65°	80





Parameters

Item No.	power	voltage	Beam angle	Lumen	PF
KL-TR-023.C02	7W	220-240V	15°,24°,38°,60°	600lm	0.95
KL-TR-024.C02	10W	220-240V	15°,24°,38°,60°	850lm	0.95
KL-TR-022.C02	14W	220-240V	15°,24°,38°,60°	1300lm	0.95
KL-TR-025.C03	21W	220-240V	15°,24°,38°,60°	2000lm	0.95
KL-TR-026.U01	38W	100-240V	15°,24°,38°,60°	3800lm	0.95

Connector:



4wire 3circuit



3wire 1circuit

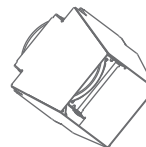


2wire 1circuit

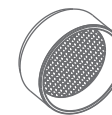


Surface mount

Accessories:



Barn door



Honey comb louver



Wall washer



Snoot

CYLINDER Modular TRACK LIGHTS

Features:

- CRI 82
- Full range: 600-3800lm
- Beam angle: 15/24/38/60°
- CCT Optional:2700K/3000K/4000K/5000K
- Modular Design
- Triac dimmable, compatible with both Leading and Trailing edge
- Connector: 4wire 3circuit , 3wire 1circuit , 2wire 1circuit, Surface mount
- Finish: white, black, silver

*DTW=Dim to warm

Warranty: 5 years





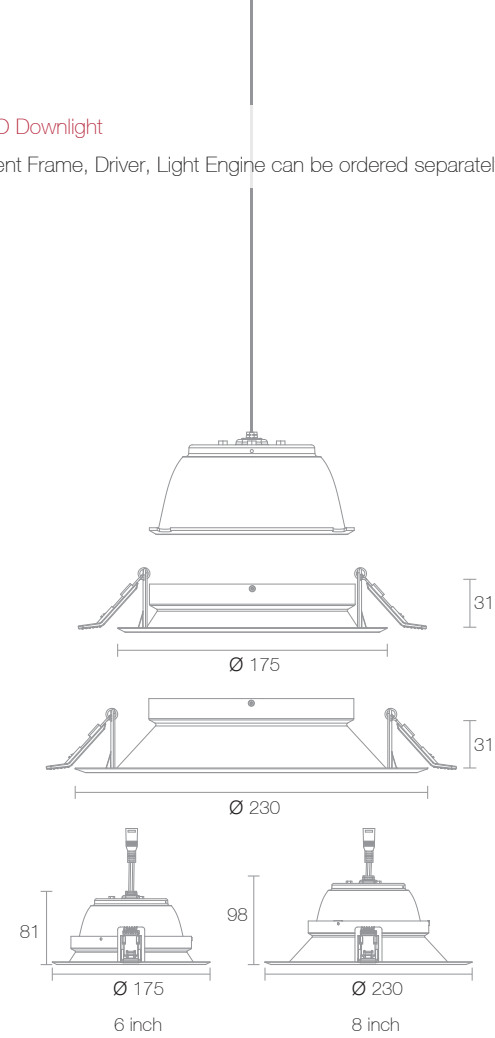
MACO Downlight

Features:

- 82 CRI, Efficacy up to 120lm/W.
- Beam angle: 80°
- CCT Optional: 2700K/3000K/4000K/5000K
- UGR 19, according to designed and simulated result
- Modular Design
- Dimmable: DALI, 1-10V, Non-dim(Standard)
- Flicker Free, it ensures CCTV monitor can work well.
- Finish: Matt white.

MACO Downlight

Different Frame, Driver, Light Engine can be ordered separately!



Parameters

Item No.	Power	Voltage	PF	Cutout
KL-DL-114.W01	9W	100-240V	0.9	145-155mm
KL-DL-115.W01	17W	100-240V	0.9	190-210mm





CYLINDER Modular TRACK LIGHTS

Features:

- 82 CRI, Efficacy up to 100lm/W
- Full range: 600-3800lm
- Beam angle: 15°/24°/38°/60°
- CCT Optional: 2700K/3000K/4000K/5000K
- Modular Design
- Triac dimmable, compatible with both ELV and MLV dimmer
- Compatible with: Juno, Halo, Lightolier and GLOBAL track system
- Finish: white, black, silver

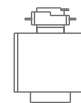
*DTW=Dim to warm

Warranty: 5 years

Parameters

Item No.	power	voltage	Beam angle	Lumen	PF
KL-TR-023.C01	7W	120V	15°,24°,38°,60°	600lm	0.95
KL-TR-024.C01	10W	120V	15°,24°,38°,60°	850lm	0.95
KL-TR-022.C01	14W	120V	15°,24°,38°,60°	1300lm	0.95
KL-TR-025.C01	21W	120V	15°,24°,38°,60°	2000lm	0.95
KL-TR-026.U01	38W	100-240V	15°,24°,38°,60°	3800lm	0.95

Connector:



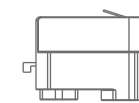
H-type



J-type

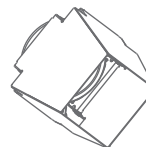


L-type

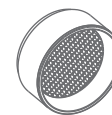


Global

Accessories:



Barn door



Honey comb louver



Wall washer



Shoot





Detachable Downlight

Features:

- Easy installation
- Lower maintenance cost
- Less stock pressure
- Low UGR
- IP 20, IP 56 optional
- 24 kinds of detachable downlight choices, change as you want!
- Perfect match of all MR16 spots
- CCT Optional: 2700K/3000K/4000K/5000K
- Equivalent to: 50 w/70w Halogen lamp

Detachable Downlight



KL-MR-075.C05

KL-MR-075.C04

KL-MR-075.C03

Junction box

Parameters

Item No.	power	voltage	Lumen	Beam angle	CRI	PF
KL-MR-075.C05	6W	120V	450lm	24°,38°,60°	82	0.9
KL-MR-075.C04	8.5W	120V	700lm	24°,38°,60°	82	0.9
KL-MR-075.C03	13W	120V	1000lm	24°,38°,60°	82	0.9





Junction box

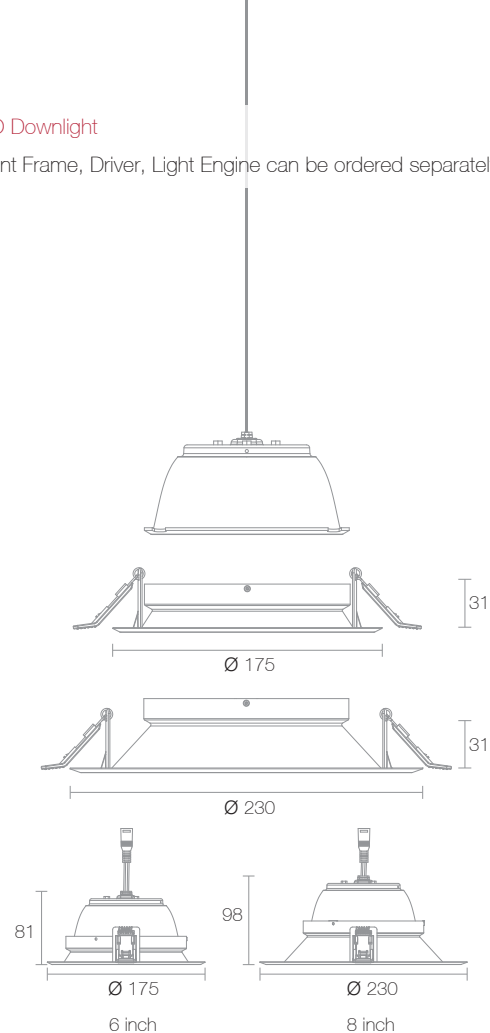
MACO Downlight

Features:

- 82 CRI, efficacy up to 100lm/W
- Beam angle: 80°
- CCT Optional: 2700K/3000K/4000K/5000K
- UGR 19, according to designed and simulated result
- Modular Design
- Dimmable: DALI, 1-10V, Non-dim(Standard)
- Flicker Free, it ensures CCTV monitor can work well.
- Finish: matt white.

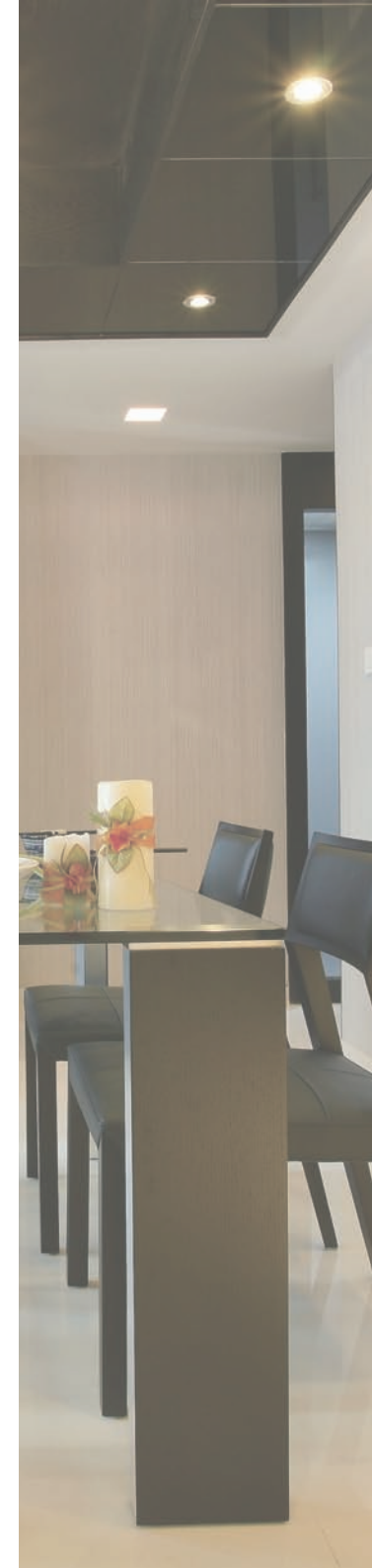
MACO Downlight

Different Frame, Driver, Light Engine can be ordered separately!



Parameters

Item No.	Power	Voltage	Lumen	PF	Cutout
KL-DL-114.W03	13W	120V	1200lm	0.9	145-155mm
KL-DL-115.W03	21W	120V	2000lm	0.9	190-210mm





Junction box

Micro Capricorn Downlight

Features:

- Cameta design Anti-glare, perfect even light output,
- High CRI CRI 90/95 available for 2700K, 3000K, 4000K, 5000K
- UGR limits With big shielding angle and UGR lower than 19
- Dimmable Driver Smooth dimming range from 100% to 10%
- High power factor over 0.9
- Replacement: perfect replacement of CFL downlight.
- 5/6/8inch is available

Micro Capricorn Downlight



Parameters

Item No.	power	voltage	Lumen	Beam angle
KL-DL-039.U01	10W	120V	1000lm	24°,38°,60°
KL-DL-039.U01	13W	120V	1300lm	24°,38°,60°
KL-DL-040.U03	16W	120V	1600lm	24°,38°,60°
KL-DL-052.U03	21W	120V	2200lm	24°,38°,60°,90°
KL-DL-052.U02	32W	120V	3200lm	24°,38°,60°,90°

